

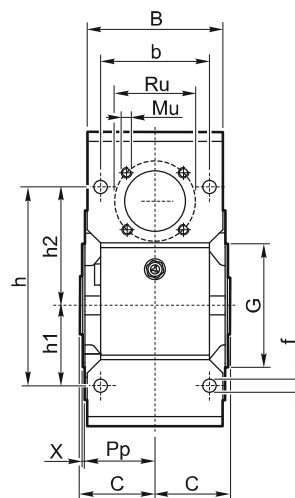
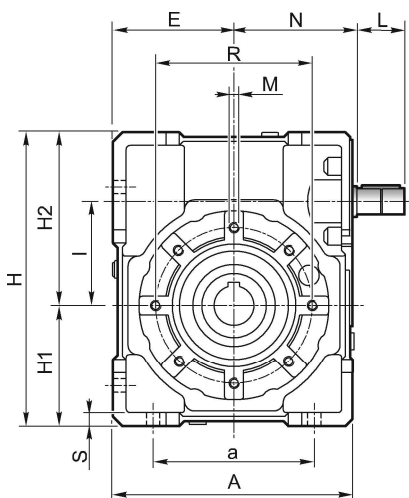


2.7 Dimensioni

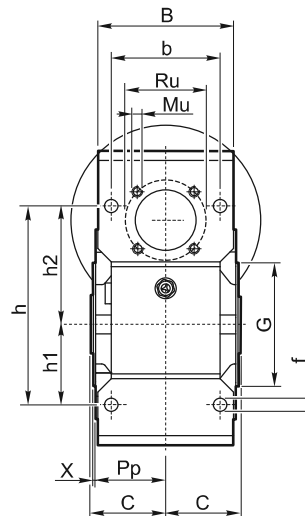
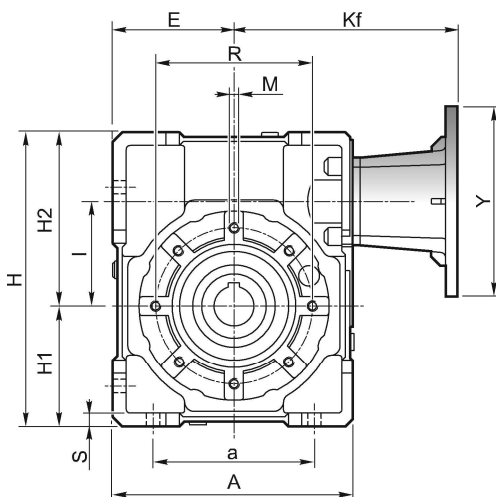
2.7 Dimensions

2.7 Abmessungen

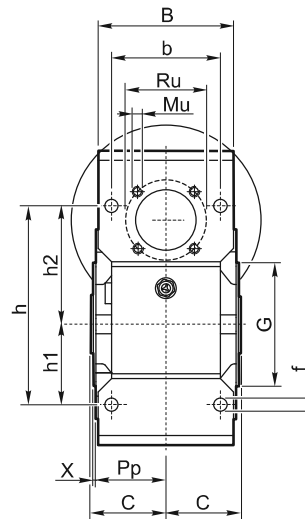
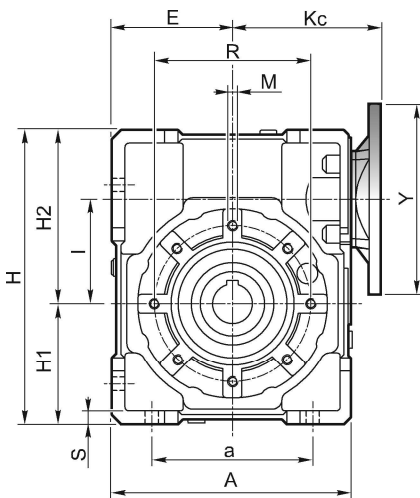
**XA**



**XF**



**XC**



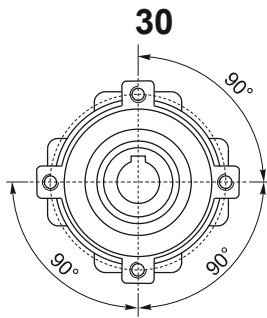


2.7 Dimensioni

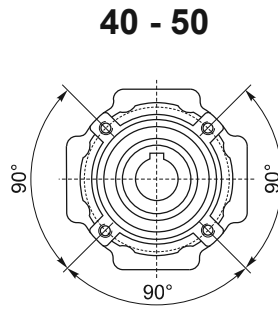
2.7 Dimensions

2.7 Abmessungen

Flangia pendolare / Shaft-mounted flange / Aufsteckflansch

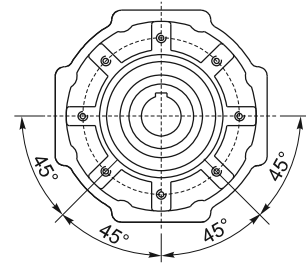


4 Fori / Holes / Bohrungen



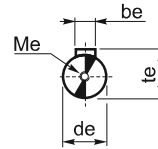
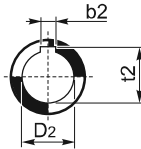
4 Fori / Holes / Bohrungen

63 - 75 - 89 - 90 - 110 - 130



8 Fori / Holes / Bohrungen

Albero uscita cavo  
Output hollow shaft  
Abtriebshohlwelle



Albero entrata  
Input shaft  
Antriebswelle

X	A	a	B	b	b <sub>e</sub>	b <sub>2</sub>	C	d <sub>e</sub> j <sub>6</sub>	D <sub>2</sub> H <sub>8</sub>	E	f	G h <sub>8</sub>	H	H <sub>1</sub>	H <sub>2</sub>	h	h <sub>1</sub>	h <sub>2</sub>		
30	80	54	56	44	3	5	—	31.5	9	14	—	40	6.5	55	97	40	57	71	27	44
40	105	70	71	60	4	6	6	39	11	18	19	50	6.5	60	125	50	75	90	35	55
50	125	80	85	70	5	8	8	46	14	25	24	60	8.5	70	150	60	90	104	40	64
63	147	100	103	85	6	8	—	56	19	25	—	72	9	80	182	72	110	130	50	80
75	176	120	112	90	8	8	8	60	24	28	30	86	11	95	219.5	86	133.5	153	60	93
89*	203	140	130	100	—	10	—	70	—	35	—	103	13	110	248.5	103	145.5	172	70	102
90	203	140	130	100	8	10	—	70	24	35	—	103	13	110	248.5	103	145.5	172	70	102
110	252.5	170	143	115	8	12	—	77.5	28	42	—	127.5	14	130	310.5	127.5	183	210	85	125
130	292.5	200	155	120	10	14	14	85	38	45	48	147.5	15	180	355	147.5	207.5	240	100	140

X	I	K <sub>c</sub>	K <sub>f</sub>	L	M	M <sub>e</sub>	M <sub>u</sub>	N	P <sub>p</sub>	R	R <sub>u</sub>	S	t <sub>e</sub>	t <sub>2</sub>	X	
30	31.5	57	vedi pag. see page siehe S. 36	15	M6x8	M4x10	M5x7.5	44.5	29	65	35.4	5.5	10.2	16.3	—	1.5
40	40	75		20	M6X10	M4X12	M5X10	57.5	36.5	75	42.4	6	12.5	20.8	21.8	1.5
50	50	82		25	M8x10	M5x13	M6x10	67.5	43.5	85	53.7	7	16	28.3	27.3	1.5
63	63	95		30	M8x14	M8x20	M6x12	77.5	53	95	60.8	8	21.5	28.3	—	2
75	75	112 - 110 <sup>(1)</sup>		40	M8x14	M8x20	M8x12	95	57	115	70.7	10	27	31.3	33.3	2
89*	90	122		—	M10x18	—	M8x14	—	67	130	70.7	12	—	38.3	—	2
90	90	122		40	M10x18	M8x20	M8x14	105	67	130	70.7	12	27	38.3	—	2
110	110	153		50	M10x18	M8x20	M10x18	130	74	165	85.0	14	31	45.3	—	2.5
130	130	173		70	M12x20	M10x25	M10x16	152	81	215	104	15	41	48.8	51.8	3

\*: 89 solo con tipo di entrata C

\*: 89 only with input type C

\*: 89 nur mit Antriebsart C

(1): Solo per PAM 71B14 / Only for PAM 71B14 / Nur PAM 71B14